


MODEL


**EMT6144GK**
**embraco**  
*Nidec*
**APPROVALS**
 **ENGINEERING CODE**  
513306214


 **APPROVED REFRIGERANT**  
R-404A

 **POWER SUPPLY**  
220-240 V 50 Hz

 **STANDARD CONDITIONS**  
EN12900

 **APPLICATION**  
MBP

 **COOLING CAPACITY**  
363 W (MBP)

 **EFFICIENCY**  
1.83 W/W (MBP)

 **MOTOR TYPE**  
CSIR

 **STARTING TORQUE**  
HST
**DATA****General Data**

Type	Hermetic reciprocating
Technology Type	On-Off
Displacement	3.97 cm <sup>3</sup>
Compressor Cooling	Fan/NotControlled/220
Expansion Device	Capillary Tube or Expansion Valve
Horse Power	1/4 hp
Power Supply	220-240 V 50 Hz
Evaporating Temperature Range	-20 °C to 10 °C

**Electrical Data**

Motor type	CSIR
Starting Torque	HST
Start Winding Resistance	21.1 Ω at 25° C
Run Winding Resistance	14.4 Ω at 25° C
Rated Load Amperage (RLA) at 50 Hz	1.35 A

## Mechanical Data

Oil Charge	180 ml
Oil Type Configuration	ESTER
Oil Type Viscosity	ISO22
Weight	7.6 Kg

## Electrical Components

	Description
Starting Device	Relay   MTRP-0015*
Start Capacitor	43-53 Uf / 330 V
Motor Protection	T0043/G6

## External Characteristics

Tray Holder	Yes	
Connector	Internal Diameter	Shape
Suction	6.1 mm	Slanted 42° up + 45° to Back/Copper
Discharge	4.94 mm	Slanted parallel BP+24° to Back/Copper
Process	6.1 mm	Slanted 45° up + 45° to Back/Copper

## PERFORMANCE

## Rated Points

Condensing Temperature	Evaporating Temperature	Cooling Capacity	Power Consumption	Gas Flow Rate	Efficiency
45.00°C	-10.00°C	363 W	198 W	10.91 kg/h	1.83 W/W

Test Condition: EN12900MBP, Fan/NotControlled/220, Return Gas 20°C, Evaporation -10.00°C, Condensing 45.00°C, Ambient 35°C, Liquid 45°C, Subcooling 0K. Data are an indication of performance based simulation.

## Performance Curve Data

### Condensing Temperature 35°C

Evaporating Temperature °C	Cooling Capacity W	Power W	Gas Flow Rate kg/h	Efficiency W/W
-20	288	156	7.46	1.84
-15	356	168	9.32	2.12
-10	435	179	11.48	2.43
-5	527	190	14.03	2.77
0	632	201	17.03	3.15
5	751	210	20.56	3.57
10	885	219	24.69	4.04

Test Condition: EN12900MBP, Fan/NotControlled/220, Return Gas 20°C, Ambient 35°C, Subcooling OK. Data are an indication of performance based simulation.

### Condensing Temperature 45°C

Evaporating Temperature °C	Cooling Capacity W	Power W	Gas Flow Rate kg/h	Efficiency W/W
-20	237	165	6.98	1.43
-15	295	182	8.79	1.63
-10	363	198	10.91	1.83
-5	442	214	13.41	2.06
0	531	229	16.36	2.32
5	632	244	19.84	2.6
10	746	257	23.91	2.91

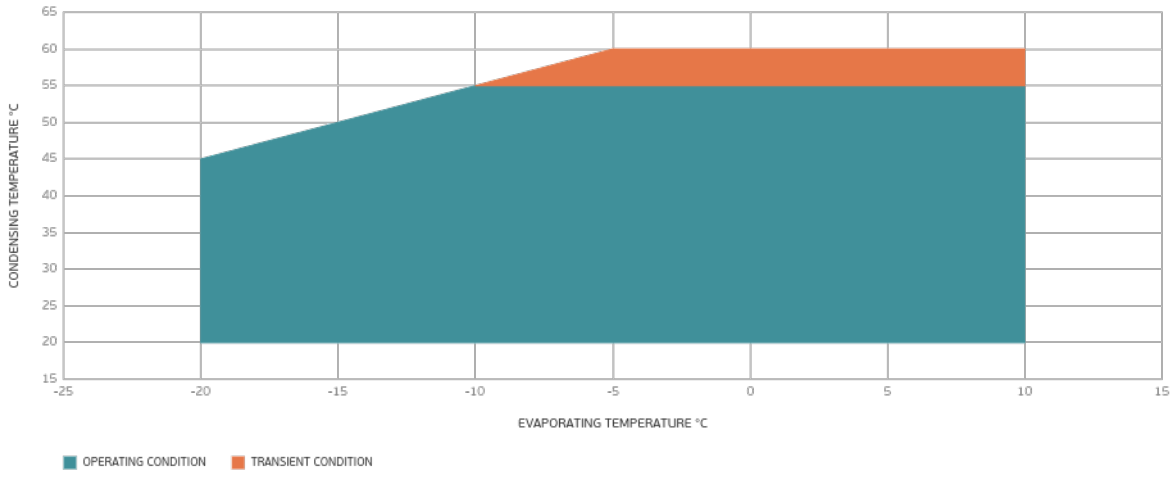
Test Condition: EN12900MBP, Fan/NotControlled/220, Return Gas 20°C, Ambient 35°C, Subcooling OK. Data are an indication of performance based simulation.

### Condensing Temperature 55°C

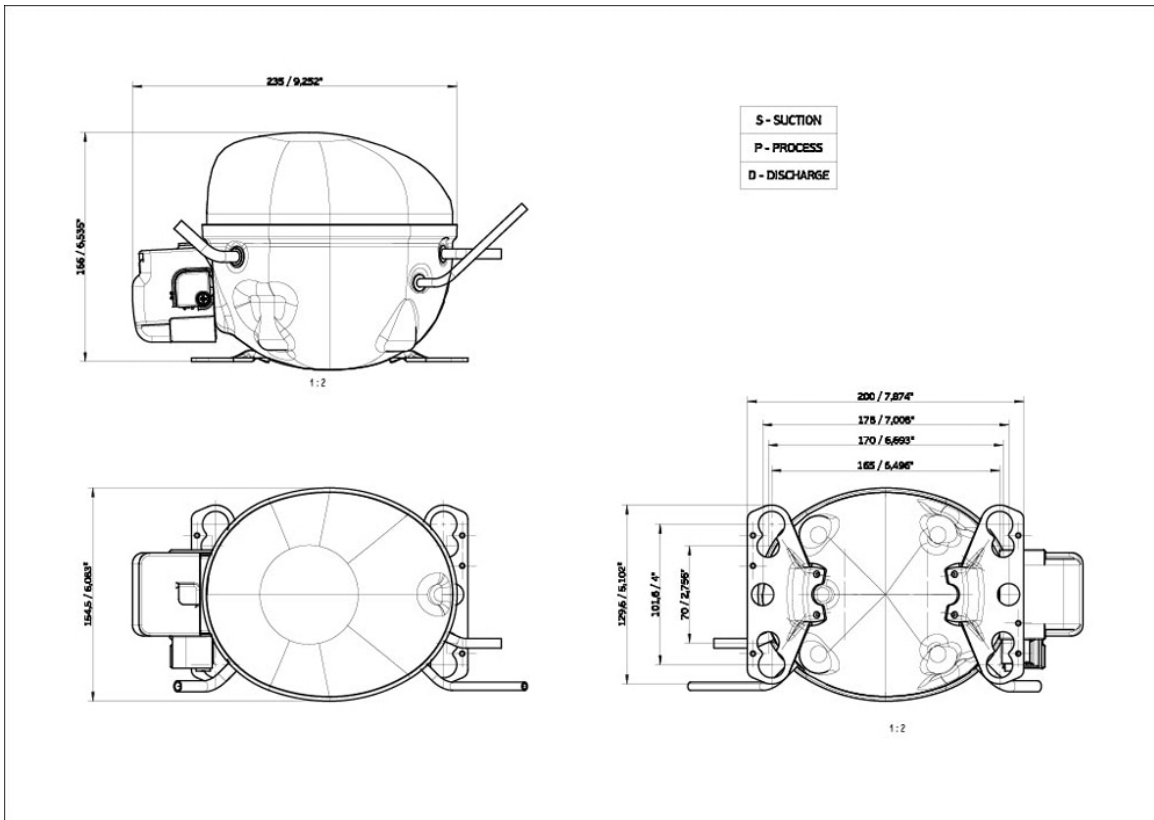
Evaporating Temperature °C	Cooling Capacity W	Power W	Gas Flow Rate kg/h	Efficiency W/W
-20	185	175	6.42	1.06
-15	234	195	8.18	1.2
-10	289	215	10.24	1.34
-5	353	235	12.68	1.5
0	426	253	15.57	1.68
5	508	271	18.98	1.87
10	601	287	22.98	2.09

Test Condition: EN12900MBP, Fan/NotControlled/220, Return Gas 20°C, Ambient 35°C, Subcooling OK. Data are an indication of performance based simulation.

## Operating Envelope



## External Dimensions



# Wiring Diagram

SM28-4

